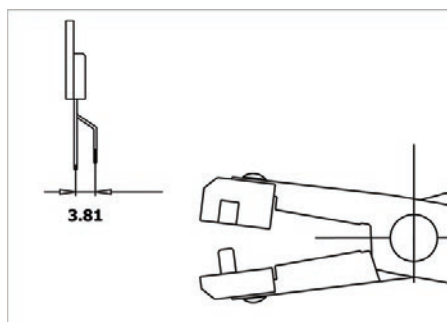


Forming pliers

155 mm



SPECIFICATION:

Variants

ESD

Cross-section of jaws

Special shape/TO-220

Length

155 mm

Art. Nr.

RND 550-00073